

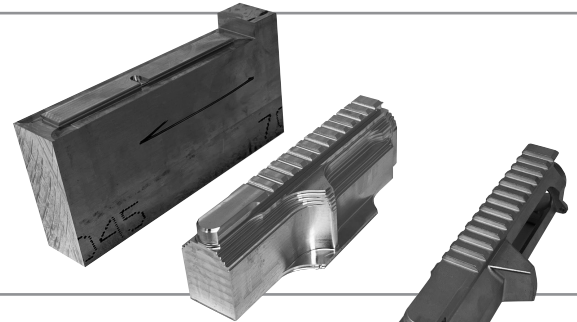
AR-15 Billet Features

Title

Jacob Grey Precision (M4) Billet Upper and Lower Receiver Set

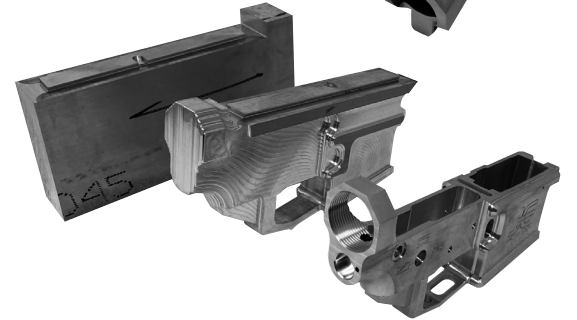
Description

Machined to the tightest of tolerances on 5 axis aerospace machines. Designed to provide a more rigid shooting platform than other receivers while still saving as much weight as possible.



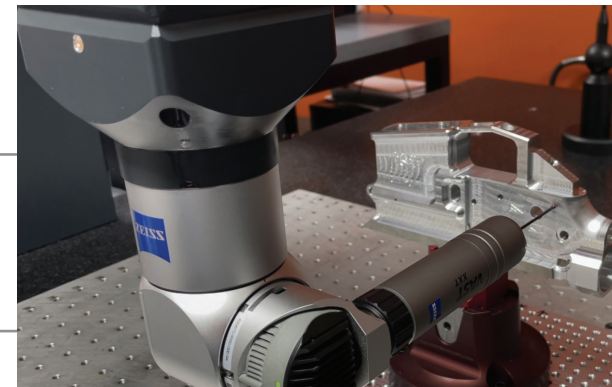
Features

- Milled on Aerospace CNC Machines
- Billet 7075-T651 Aircraft Aluminum
- Upper and Lower are a Perfect Fit
- Expanded Trigger Guard
- Ambidextrous Safety Markings
- 6-32 Threaded Bolt Catch Screw
- No Forward Assist
- Full Picatinny Rail M4 Feedramp Cut



Finish Options

- Bead Blast Finish
- Raw
- Black Hard Anodize



Specs

- Caliber: Multi (will accept any upper and/or caliber designed for the AR-15 platform)
- Magazine: Accepts any standard MIL-SPEC AR-15 magazine
- Precision broached magazine well with oversized beveled flare for easier magazine insertion
- Compatible with all standard AR-15 components and magazines and most aftermarket parts



Requires shipment to licensed FFL dealer. This is a serialized item considered to be a firearm by BATFE. All BATFE, GCA and NFA rules apply!

MADE IN



U. S. A.

PO Box 4065
West Columbia, SC 29171

803.530.3900

sales@jacob-grey.com